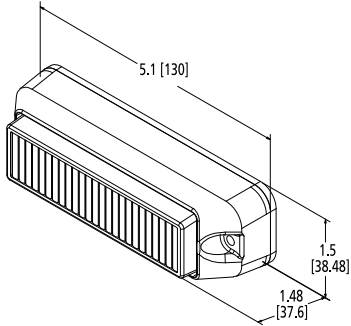


directional LED



- 9 Flash patterns (see page 56)
- Synchronisation capable
- Encapsulated electronics extend product life



3700 Series

Single/Dual Head
Surface Mount

#	FEATURES	V	A				
830-042B							
830-042R	–	12	0.2				
830-042RB							
830-047B							
830-047R	–	24	0.1				
830-047RB						5 years	
830-042DB					SAE J845 Class I e	5 years	
830-042DR	Increased horizontal optics	12	0.2				
830-042DRB							
830-047DB							
830-047DR	Increased horizontal optics	24	0.1				
830-047DRB							
830-053B							
830-053R	–	12	0.4				
830-053RB						5 years	
830-054B					SAE J845 Class I e	5 years	
830-054R	–	24	0.2				
830-054RB							

Amber & white also available.