



**PROFILE™**

**BEACONS**

Lightbars | Minibars | Directional LEDs | Worklamps | Back-Up Alarms | Camera Systems

## 7460 SERIES

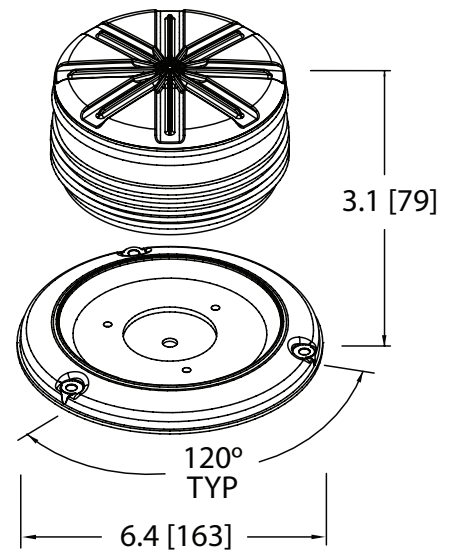
### SAE Class I LED

The compact and unobtrusive 7460 Series Profile™ LED beacon incorporates a simple, yet highly effective and robust, design featuring an overhead heatsink that also allows removal of the flange when the unit is pipe-mounted. The 7460 features a Pulse8 flash pattern that human vision is highly sensitive to in the periphery, increasing potential visibility where vehicle hazards are not in direct line of sight. A 5-year warranty and the usual maintenance-free, low amp draw benefits of LED technology make this an ideal light for any application.

#### Models

PART NO.	VOLTAGE	AMPS	FPM	LENS/ILLUMINATION	MOUNT
7460X	12-36	3.6	75	Specify Color	3 Bolt Flange/1" Pipe
7460CX	12-36	3.6	75	Clear/Specify Color	3 Bolt Flange/1" Pipe
7460X-VM	12-36	3.6	75	Specify Color	Vacuum Magnet
7460CX-VM	12-36	3.6	75	Clear/Specify Color	Vacuum Magnet

Replace X in part number with desired color: A=amber, B=blue, C=clear, G=green, R=red



#### Features and Benefits

- Eight 3-watt LEDs and a parabolic reflector
- Pulse8 (eight flash per cycle) flash pattern
- Overhead heatsink design allows for unobtrusive pipe mounting with flange removed
- SAE J845 Class I (A, B, CC & R only); SAE J845 Class II (CA only)
- CE
- Temperature Range: -22°F to +122°F (-30°C to +50°C)
- Warranty: 5 years

#### Parts & Accessories

- Pipe Mount: A6400MB

Detachable flange design allows easy and unobtrusive pipe mounting

