



## BEACONS

Lightbars | Minibars | Directional LEDs | Worklamps | Back-Up Alarms | Camera Systems

# 7160 SERIES

## SAE Class I LED

The 7160 Series - Reflex™ LED provides the ultimate level of power, versatility and style available in an LED beacon. The latest high-intensity LEDs combine with reflector technology to produce a powerful, SAE Class I/Cal Title 13, warning signal in a light that also offers premium features, including multiple flash patterns, Hi/Lo intensity control and synchronization capability. Low amp draw, zero maintenance and an extended life backed by a 5-year warranty make this light an obvious choice to replace strobe or rotating lights.

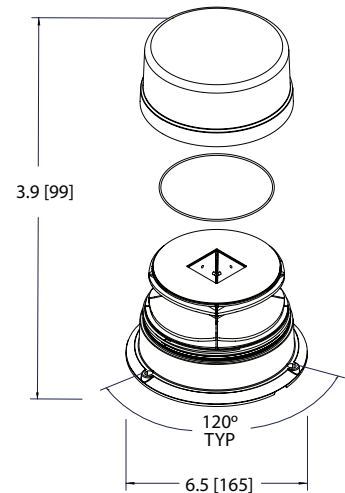
### Models

PART NO.	VOLTAGE	AMPS	LENS/ILLUMINATION	MOUNT
7160X	12-24	2.0	Specify Color	3 Bolt Flange/1" Pipe
7160CA	12-24	2.0	Clear/Amber	3 Bolt Flange/1" Pipe
7160X-VM	12-24	2.0	Specify Color	Vacuum Magnet
7160CA-VM	12-24	2.0	Clear/Amber	Vacuum Magnet

Replace X in part number with desired color: A=amber, B=blue, C=clear, G=green, R=red

### Features and Benefits

- High intensity LEDs and reflector technology produce an SAE Class I warning signal
- 15 flash patterns and hi/lo intensity control
- Multiple units can be synchronized
- Cigarette plug with on/off and flash pattern switch (vacuum magnet only)
- SAE J845 Class I and Cal. Title 13 (A, B and CA only); SAE J845 Class II (CC only)
- CE, e, IP66
- Temperature Range: -22°F to +122°F (-30°C to +50°C)
- Warranty: 5 years



### Flash Patterns (15)

- |                 |                                     |           |
|-----------------|-------------------------------------|-----------|
| • Steady Burn   | Always On                           |           |
| • Title 13 Slow | 65 Single FPM                       | Phase A&B |
| • Title 13 Fast | 115 Single FPM                      | Phase A&B |
| • Title 13 Quad | 75 Quad FPM                         | Phase A&B |
| • Double Flash  | 75 Double FPM                       | Phase A&B |
| • Fast Double   | 130 Double FPM                      | Phase A&B |
| • Quad Flash    | 75 Quad FPM                         | Phase A&B |
| • Quint Hold    | 75 Quint FPM (Hold)                 | Phase A&B |
| • Pulse8        | 75 Oct FPM                          | Phase A&B |
| • Slow Rotate   | 75 RPM                              |           |
| • Fast Rotate   | 120 RPM                             |           |
| • Wave Rotate   | 70 RPM                              |           |
| • Rotate/Quad   | 150RPM / 75 Quad FPM                |           |
| • Ramp Up/Down  | Always on - Bright to Dim to Bright |           |
| • Cycle Flash   | Cycle through patterns              |           |