



Safety Director™

DIRECTIONAL LEDs

Lightbars | Minibars | Beacons | Worklamps | Back-Up Alarms | Camera Systems

3410 SERIES SAE Class I LED Safety Director™

The 3410 LED Safety Director™ is a compact high-intensity warning system designed to direct traffic approaching from the rear of a stationary vehicle. The compact light-stick design allows for unobtrusive interior or exterior mounting, either flush to the vehicle or using the provided mounting brackets. Inside the cab a modern, soft touch controller provides fingertip control of the 3410's nine built-in flash patterns, features an LED display that mimics the selected pattern in real time and also includes an auxiliary switch. 20A auxiliary relay included.

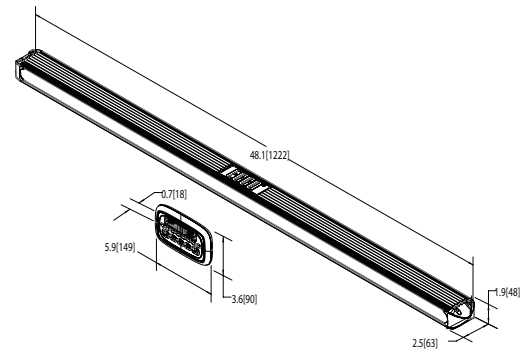
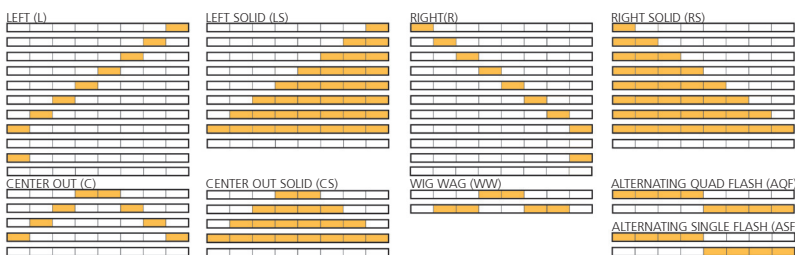
Models

PART NO.	COLOR	VOLTAGE	MAX AMPS	CABLE LENGTH
3410A	Amber	12	1.6	15'
3435A	Amber	12	1.6	35'
3455A	Amber	12	1.6	55'

Features and Benefits

- Extruded aluminum housing with polycarbonate lens
- Eight reflective modules with six LEDs
- SAE J595 Class I, CE, R10
- Temperature Range: -22°F to +122°F (-30°C to +50°C)
- Warranty: 3 years

Flash Patterns



System Components

- Controller: 3410CB
- Signal bar: 3410LBA
- Cable: 15' 3410-15
35' 3410-35
55' 3410-55



To view a product video, scan with any QR code reader app